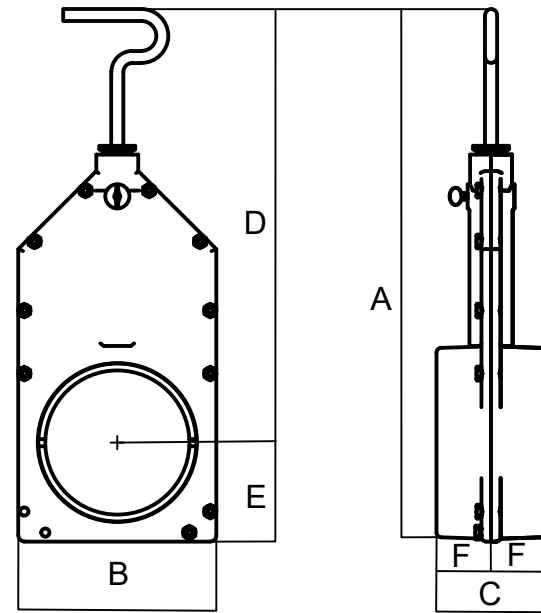
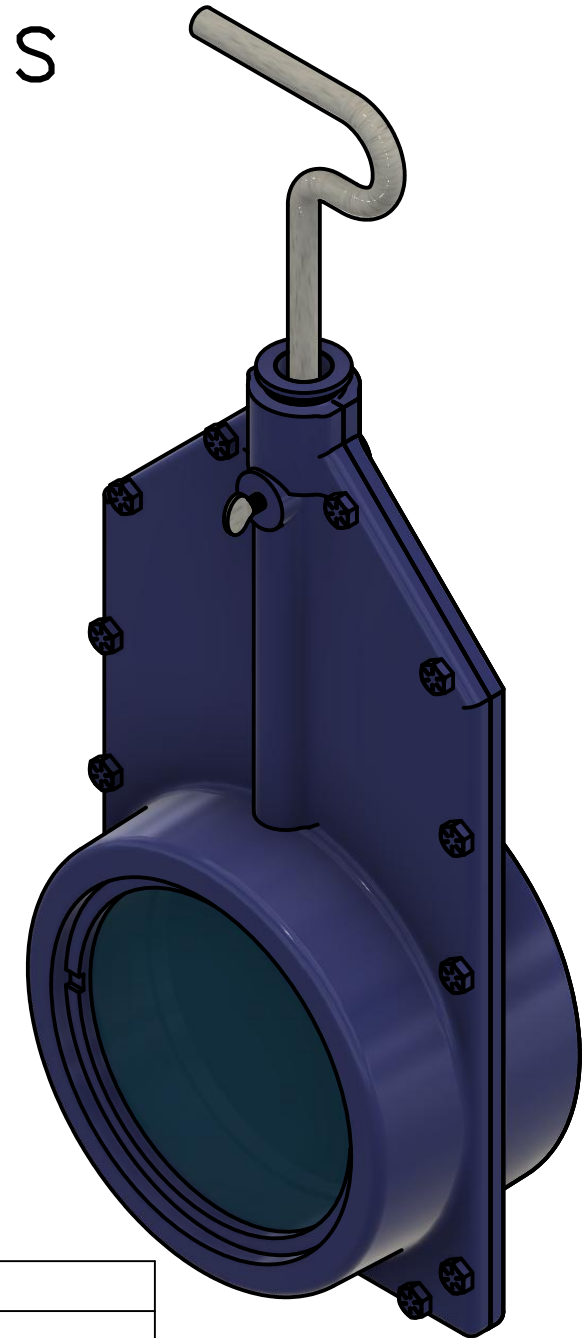


G = Length in travel for slide.

SAF THREADED RING GATE VIEW PORT'S



The SAF Threaded Gate View Ports are used to regulate air flow, and the flow of other materials in a variety of applications. A rugged cast iron body with NPT threaded pipe connections houses the precision-machined self-cleaning, stainless steel slide. The slide is adjusted easily to any position by a choice of operating mechanisms.



OPTIONAL FEATURES

- Fabrication in other materials such as carbon or stainless steels
- Special machining options for higher temperature applications
- Extra heavy slide construction enhancing strength and life

Threaded Ring Gate View Ports

Part #	Pipe Size	A	B	C	D	E	F	G	Viewing Area	Lens Size
2TRGVP	2"	8-3/4"	3-1/2"	2-1/2"	7"	1-3/4"	1-1/4"	2-1/8"	2"	2-1/2"
2-1/2TRGVP	2-1/2"	10"	4-3/8"	3-1/4"	8"	2"	1-5/8"	2-3/4"	2-1/2"	3"
3TRGVP	3"	11"	4-5/8"	3-7/8"	8-9/16"	2-7/16"	1-15/16"	3-1/2"	3"	3-1/2"
4TRGVP	4"	13-3/4"	5-5/8"	3-13/16"	10-7/8"	2-7/8"	1-29/32"	4-3/8"	4"	4-1/2"
6TRGVP	6"	21"	8-1/4"	4-7/16"	16-3/4"	4-1/4"	2-7/32"	6-1/4"	6"	6-1/2"

The SAF Threaded Gate View Ports are especially suited for low pressure applications where 100% shut-off is not required. A wide range of sizes from 1" to 10" are available from stock for quick delivery