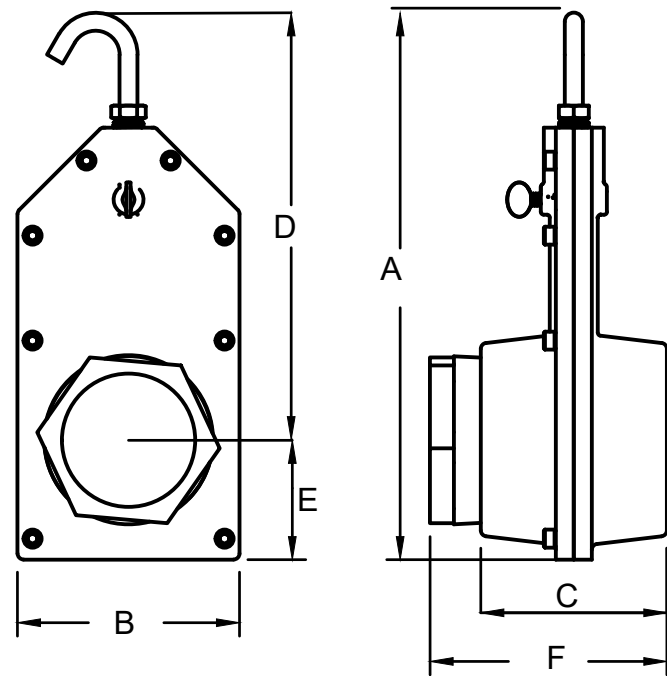
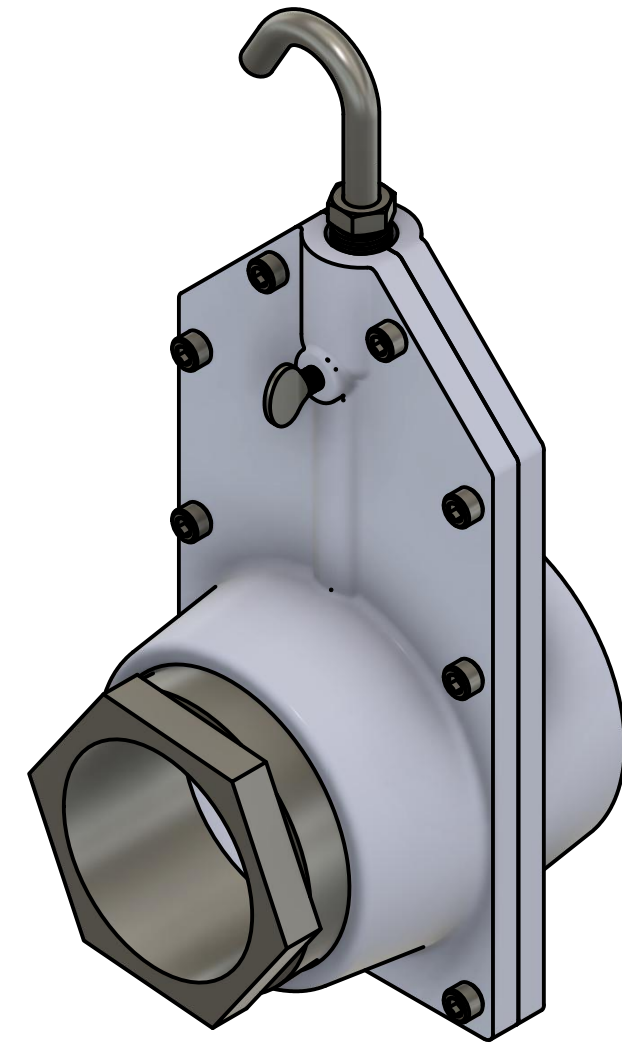


G=Length in travel for slide

# SAF THREADED GATE VIEW PORT'S



The SAF Threaded Gate View Ports are used to regulate air flow, and the flow of other materials in a variety of applications. A rugged cast iron body with NPT threaded pipe connections houses the precision-machined self-cleaning, stainless steel slide. The slide is adjusted easily to any position by a choice of operating mechanisms.



### OPTIONAL FEATURES

- Fabrication in other materials such as carbon or stainless steels
- Special machining options for higher temperature applications
- Extra heavy slide construction enhancing strength and life

Threaded Gate View Port										
Part #	Pipe Size	A	B	C	D	E	F	G	Viewing Area	Lens Size
2TGVP	2"	8-3/4"	3-1/2"	2-1/2"	7"	1-3/4"	3-1/4"	2-1/8"	1-11/16"	2"
2-1/2TGVP	2-1/2"	10"	4-3/8"	3-1/4"	8"	2"	4-1/8"	2-3/4"	2"	2-1/2"
3TGVP	3"	11"	4-5/8"	3-7/8"	8-9/16"	2-7/16"	4-3/4"	3-1/2"	2-1/4"	3"
4TGVP	4"	13-3/4"	5-5/8"	3-13/16"	10-7/8"	2-7/8"	4-5/8"	4-3/8"	3-3/8"	4"
6TGVP	6"	21"	8-1/4"	4-7/16"	16-3/4"	4-1/4"	6-1/2"	6-1/4"	5-1/4"	6"

The SAF Threaded Gate View Ports are especially suited for low pressure applications where 100% shut-off is not required. A wide range of sizes from 1" to 10" are available from stock for quick delivery