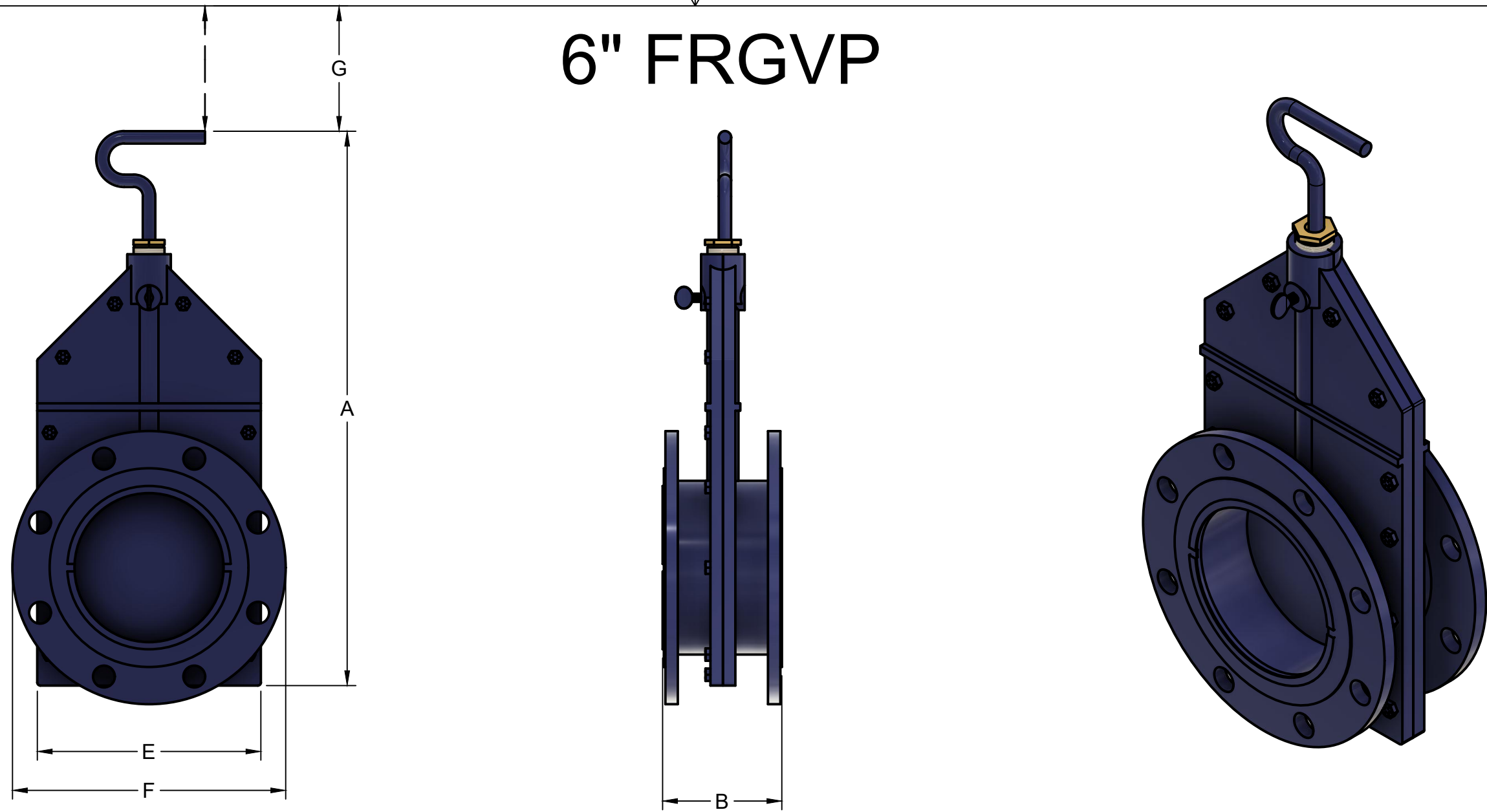


6" FRGVP



Pipe Size	Viewing Area	A	B	E	F	G	Bolt Size	Bolt Circle	Part Numbers
6"	6" dia.	23"	5"	9"	11"	6-1/4"	3/4"	8 on 9-1/2"	6FRGVP

Type	Thickness	Max. Intermittent Temperature	Max. Continuous Temperature	Code Letter
Quartz Clear	1/4"	2048 °F / 1120 °C	1600°F / 871 °C	Q
Borosilicate Clear	1/4"	554°F / 290 °C	446°F / 230 °C	B