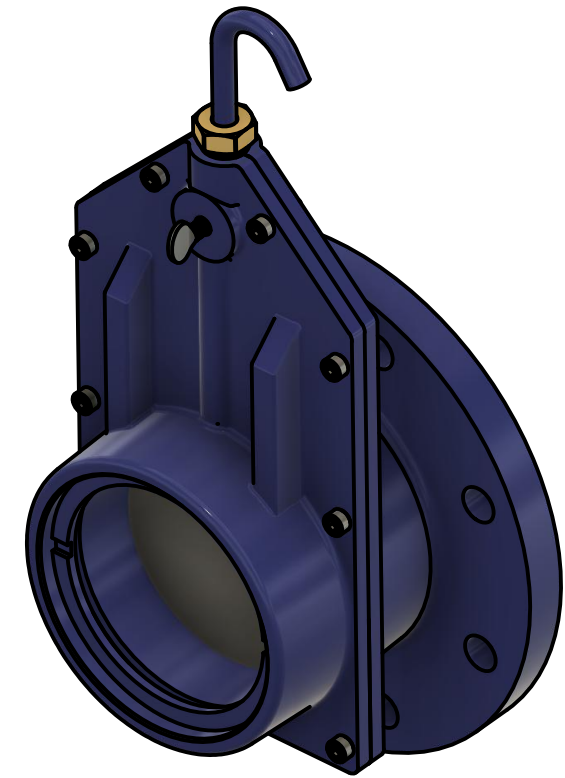
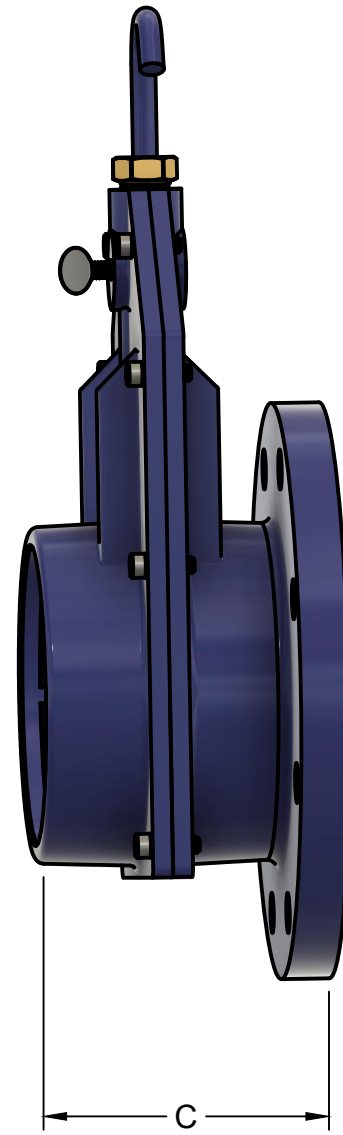
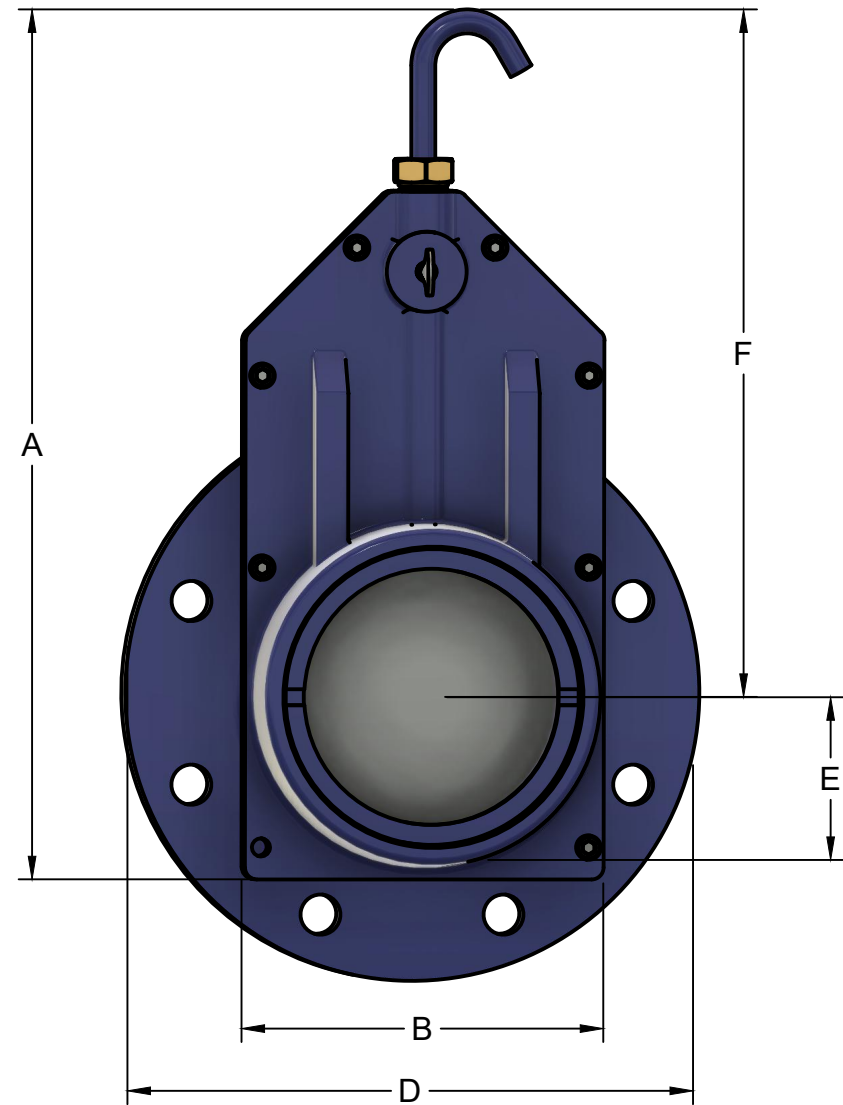


# 4" FTRGVP



Pipe Size	Viewing Area	Purge Option	A	B	C	D	E	F	Bolt Size	Bolt Circle	Part Numbers
4"	4"	1/4"	13-3/4"	5-5/8"	5-1/2"	9"	2-7/8"	10-7/8"	5/8"	8 on 7-1/2"	4FTRGVP

Type	Thickness	Max. Intermittent Temperature	Max. Continuous Temperature	Code Letter
Quartz Clear	1/4"	2048 °F / 1120 °C	1600°F / 871 °C	Q
Borosilicate Clear	1/4"	554°F / 290 °C	446°F / 230 °C	B