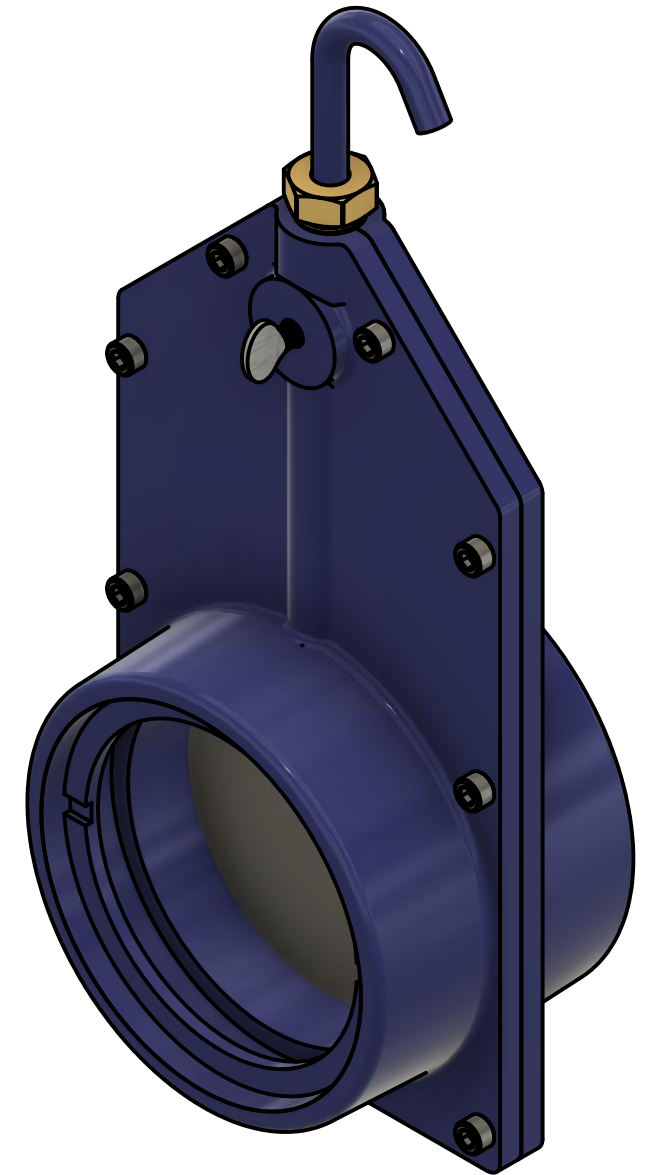
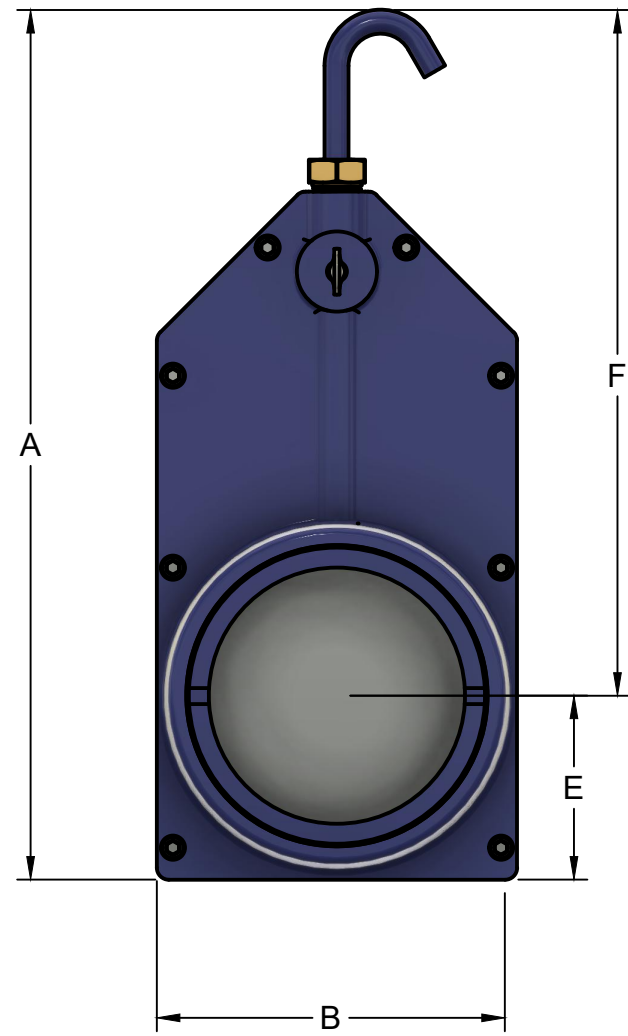


# 4" TRGVP



| Pipe Size | Viewing Area | Purge Option | A       | B      | D        | E      | F       | Part Numbers |
|-----------|--------------|--------------|---------|--------|----------|--------|---------|--------------|
| 4"        | 4"           | 1/4"         | 13-3/4" | 5-5/8" | 3-13/16" | 2-7/8" | 10-7/8" | 4TRGVP       |

| Type               | Thickness | Max. Intermittent Temperature | Max. Continuous Temperature | Code Letter |
|--------------------|-----------|-------------------------------|-----------------------------|-------------|
| Quartz Clear       | 1/4"      | 2048 °F / 1120 °C             | 1600°F / 871 °C             | Q           |
| Borosilicate Clear | 1/4"      | 554°F / 290 °C                | 446°F / 230 °C              | B           |